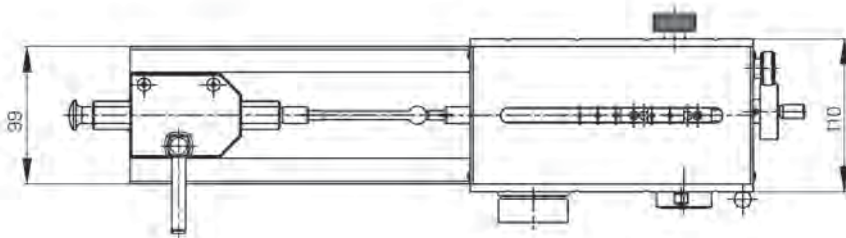
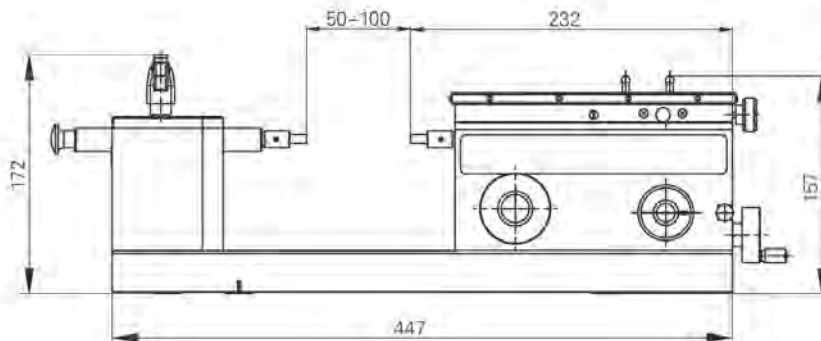


THV Horizontal/Vertical



*0-2" travel
4" application range*

Part Number	Description
54-198-001	Standard table (included with 54-198-500 and 54-198-505)
54-198-010	Set of internal probes from .4"/10mm up for standard table (included with 54-198-500 and 54-198-505)
54-198-012	Set of 6mm Ø x 34mm internal ball probes from .51"/13mm up for standard table
54-198-020	Set of internal probes from .4"/10mm up for floating table (included w/54-198-550 & 555)
54-198-022	Set of 6mm Ø x 41mm internal ball probes from .51"/13mm up for floating table
54-198-100	Block support for 54-198-101 and 54-198-150
54-198-101	H-plate with clearance
54-198-150	Test indicator holding device
54-198-160	Block support for 54-197-106
54-198-170	Support device with V for external diameters
54-198-180	Micrometer spindle for testing dial and test indicators
54-198-181	8mm clamp for holding dial indicators
54-198-182	3/8" clamp for holding dial indicators
54-198-250	ID floating table (included with 54-198-550 and 54-198-555)
54-198-260	Reverse attachment—European
54-198-261	Reverse attachment—American
54-198-300	Pneumatic thread device, Allows up to 40 ounces of pressure.
53-190-019	Standard .256"/6.5mm diameter external probes included with all units
53-190-032	External probe with M2.5 x .45 thread
53-190-033	.315"/8mm diameter external probes
53-190-034	External probes with 4.48 thread
53-190-037	.078"/2mm diameter external probes
54-197-007	Thread wires and holders
54-197-503	Support for display (included with No. 54-198-505 and 54-198-555)
54-198-175	Support pin .12"/3mm diameter for No. 54-198-170
54-198-176	Support pin .24"/6mm diameter for No. 54-198-170
54-198-015	Inserts for internal measuring from .197"/5mm up for table No. 54-198-001
54-198-025	Inserts for internal measuring from .197"/5mm up for table No. 54-198-250