

HYDRAULIC HAND PUMP SELECTION CHART

Model	Stage	Flow (in³)	CAPACITY (tons)															
			5	10	15	25	30	50	75	100	150	200	250	300	400	500		
			REQUIRED STROKES FOR CYLINDER TO LIFT 1 INCH															
EPA-10521	1ST STAGE	0.22	5	10	15													
	2ND STAGE	0.05	19	42	58													
EPA-10921A	1ST STAGE	2.038	1	2	2	3												
	2ND STAGE	0.201	6	12	16	26												
EPA-10922A	1ST STAGE	2.038	1	2	2	3												
	2ND STAGE	0.201	6	12	16	26												
EPA-11621	1ST STAGE	1.93	1	1	2	3	3	6										
	2ND STAGE	0.22	6	12	16	24	34	51										
EPA-12321A	1ST STAGE	2.038	1	2	2	3	4	6	8									
	2ND STAGE	0.201	6	12	16	26	31	55	81									
EPA-12322A	1ST STAGE	2.038	1	2	2	3	3	6	8									
	2ND STAGE	0.201	6	12	16	26	34	55	81									
EPA-14521	1ST STAGE	1.59	1	1	2	3	4	8	10	13	19	26						
	2ND STAGE	0.18	6	13	18	29	38	69	90	114	174	229						
EPA-14522	1ST STAGE	1.59	1	1	2	3	4	8	10	13	19	26						
	2ND STAGE	0.18	6	13	18	29	38	69	90	114	174	229						
EPA-17521	1ST STAGE	7.63	1	1	1	1	1	2	2	3	4	5	7					
	2ND STAGE	0.35	3	7	9	15	19	35	45	58	88	116	158					
EPA-17522	1ST STAGE	7.63	1	1	1	1	1	2	2	3	4	5	7					
	2ND STAGE	0.35	3	7	9	15	19	35	45	58	88	116	158					

AIR/HYDRAULIC HAND PUMP SELECTION CHART

Model	Single Stage	Flow (in³)	CAPACITY (tons)															
			5	10	15	25	30	50	75	100	150	200	250	300	400	500		
			REQUIRED TIME (seconds) FOR CYLINDER TO LIFT 1 INCH															
EPC-001	Low Pressure	0.81	1.30	2.90	3.90	6.40	8.30	15.00	19.50	25.60								
	High Pressure	0.12	8.70	19.00	26.30	42.50	55.00	100.00	130.00	166.00								
EPC-002	Low Pressure	0.81	1.30	2.90	3.90	6.40	8.30	15.00	19.50									
	High Pressure	0.12	8.70	19.00	26.30	42.50	55.00	100.00	130.00									
EPC-003	Low Pressure	0.81	1.30	2.90	3.90	6.40	8.30	15.00	19.50	25.60								
	High Pressure	0.12	8.70	19.00	26.30	42.50	55.00	100.00	130.00	166.00								
EPC-004	Low Pressure	0.81	1.30	2.90	3.90	6.40	8.30	15.00	19.50	25.60	38.00							
	High Pressure	0.12	8.70	19.00	26.30	42.50	55.00	100.00	130.00	166.00	252.50							
EPC-008	Low Pressure	0.81	1.30	2.90	3.90	6.40	8.30	15.00	19.50									
	High Pressure	0.12	8.70	19.00	26.30	42.50	55.00	100.00	130.00									
EPC-009	Low Pressure	0.81	1.30	2.90	3.90	6.40	8.30	15.00	19.50	25.60	38.00							
	High Pressure	0.12	8.70	19.00	26.30	42.50	55.00	100.00	130.00	166.00	252.50							
EPC-010	Low Pressure	0.81	1.30	2.90	3.90	6.40	8.30	15.00	19.50									
	High Pressure	0.12	8.70	19.00	26.30	42.50	55.00	100.00	130.00									

HYDRAULIC ELECTRIC PUMP SELECTION CHART

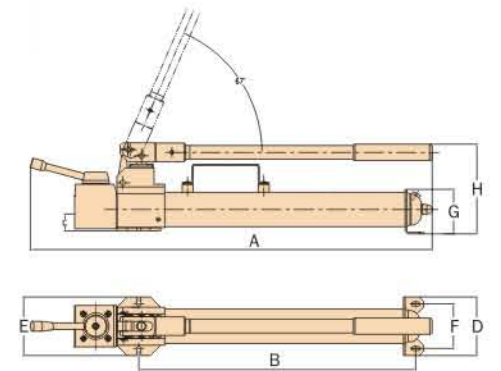
Model	Stage	Flow (in³/s)	Cylinder Capacity (ton)															
			5	10	15	25	30	50	75	100	150	200	250	300	400	500		
			REQUIRED TIME (seconds) FOR CYLINDER TO LIFT 1 INCH															
EPB-3B+	1st Stage	4.00	0.3	0.6	0.8	1.3	1.7	2.8	4.0	5.1								
	2nd Stage	0.27	4.1	8.4	12.2	19.3	25.5	41.2	60.3	76.8								
EPB-6B+	1st Stage	10.17	0.1	0.2	0.3	0.5	0.7	1.1	1.6	2.0	3.0	4.1						
	2nd Stage	0.65	1.7	3.5	5.0	7.9	10.5	16.9	24.8	31.5	47.5	63.4						
EPB-10B+	1st Stage	10.17	0.1	0.2	0.3	0.5	0.7	1.1	1.6	2.0	3.0	4.1	5.5					
	2nd Stage	1.00	1.1	2.3	3.3	5.2	6.8	11.0	16.1	20.5	30.9	41.2	56.2					
EPB-20B+	1st Stage	10.17	0.1	0.2	0.3	0.5	0.7	1.1	1.6	2.0	3.0	4.1	5.5	7.0	8.7	11.1		
	2nd Stage	1.67	0.7	1.3	2.0	3.1	4.1	6.6	9.6	12.3	18.5	24.7	33.7	42.3	53.1	67.8		

Recommended application
Selective use
Not recommended



EPA-10521

EPA-10921A



Double Acting

Single Acting

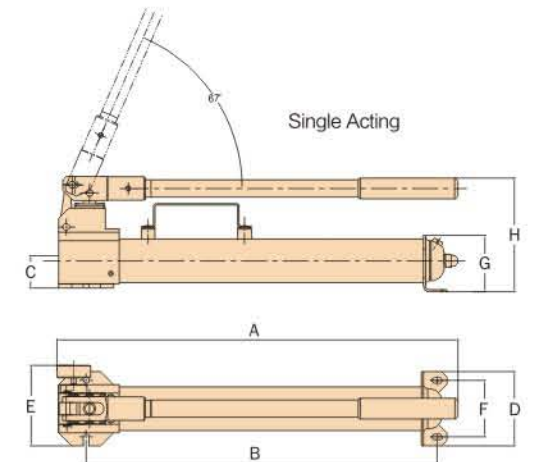
EPA-SERIES HAND PUMPS

Features

- ◆ High strength alloy steel, engineered for use in extreme environment.
- ◆ Compact, easy to carry.
- ◆ User friendly design.
- ◆ Built-in safety valve.
- ◆ Used for various cylinders and tools.



EPA-11621



Used With Cylinder	Model	Speed	Usable Oil Volume	Pressure rating		Oil output per stroke		Handle Force	Output Oil Thread	Weight
				1 st stage	2 nd stage	1 st stage	2 nd stage			
			in³	psi	psi	in³	in³	lbs	in	lbs
Single Acting	EPA-10521*	Double	20	200	10,000	0.48	0.05	77	3/8-18NPT	4.8
	EPA-10921A	Double	55	360	10,000	2.038	0.201	108	3/8-18NPT	16.06
	EPA-12321A	Double	140	360	10,000	2.038	0.201	108	3/8-18NPT	22.22
	EPA-11621	Double	98	360	10,000	1.93	0.19	95	3/8-18NPT	24
Double Acting	EPA-10922A	Double	55	360	10,000	2.038	0.201	108	3/8-18NPT	19.36
	EPA-12322A	Double	140	360	10,000	2.038	0.201	108	3/8-18NPT	25.52

* EPA 10521: Aluminum Hand Pump

Model	A	B	C	D	E	F	G	H
	in	in	in	in	in	in	in	in
EPA-10521	14.74	11.40	/	3.14	4.3	2.63	/	5.6
EPA-10921A	22.89	19.87	1.85	4.24	5.1	3.22	3.22	6.50
EPA-12321A	29.04	19.96	1.85	4.91	5.4	/	3.22	6.34
EPA-10922A	22.89	19.87	1.14	4.24	4.2	3.22	3.22	6.50
EPA-12322A	29.04	19.96	1.14	4.91	4.2	/	3.22	6.34
EPA-11621	28.81	19.85	1.61	5.50	4.7	3.93	3.34	6.3